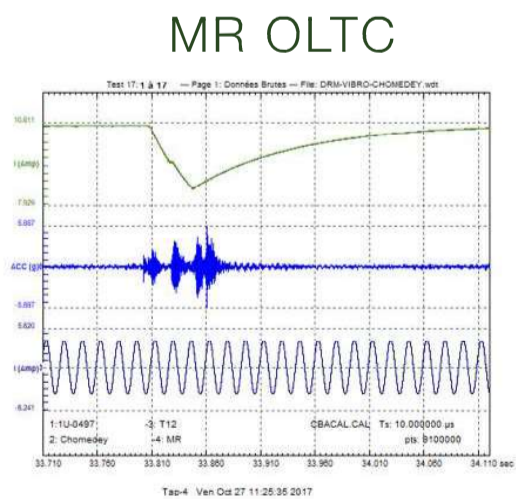


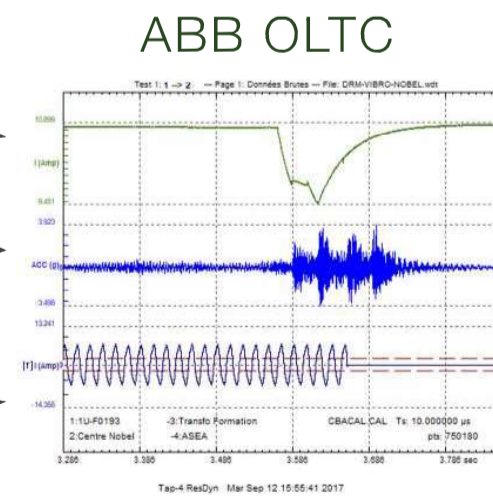
# DYNAMIC RESISTANCE DRM



This accessory used with TAP-4-PLUS allows you to do DRM testing.  
Easy correlation between vibro-acoustic, DRM and motor current



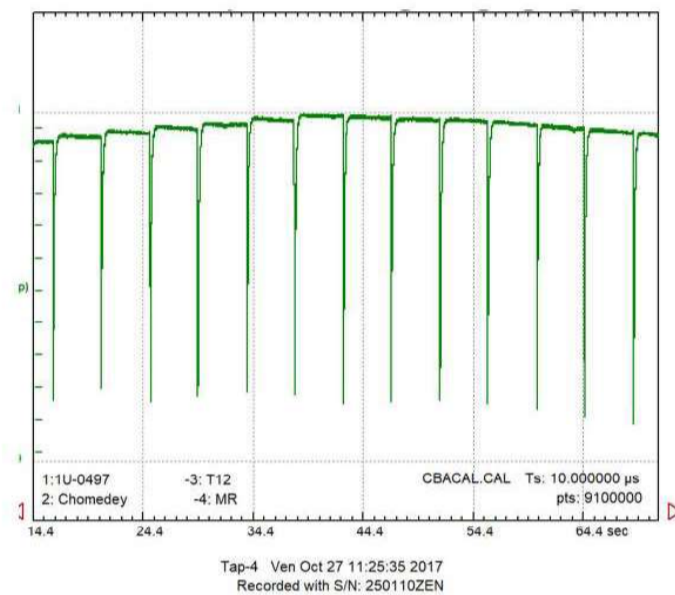
DRM →  
VIBRO →  
MOTOR CURRENT →



# DYNAMIC RESISTANCE DRM WHY?

## Malfunctions detected by DRM

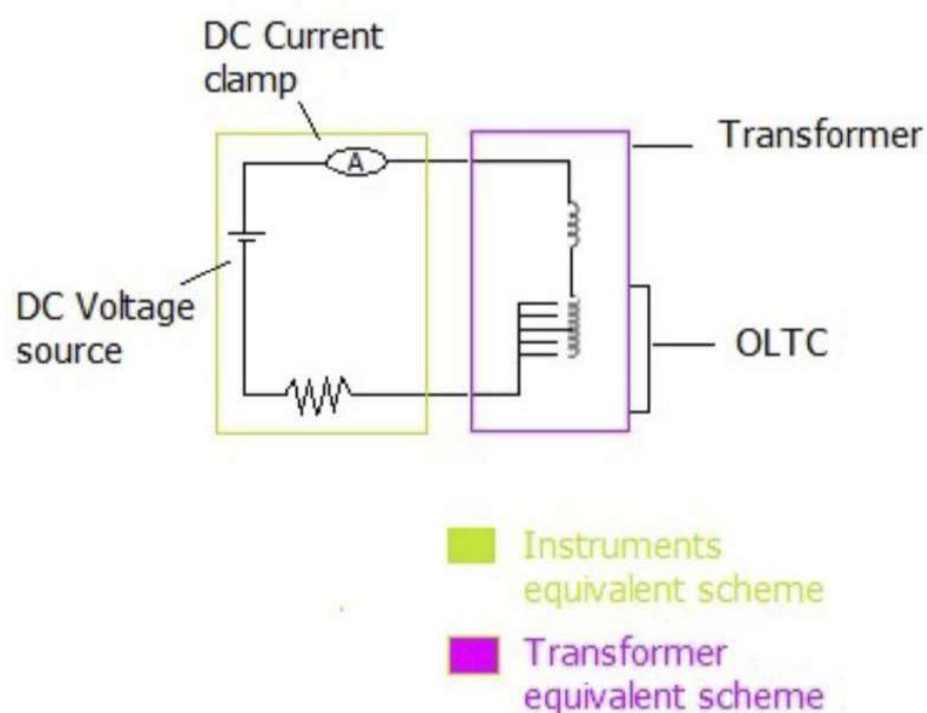
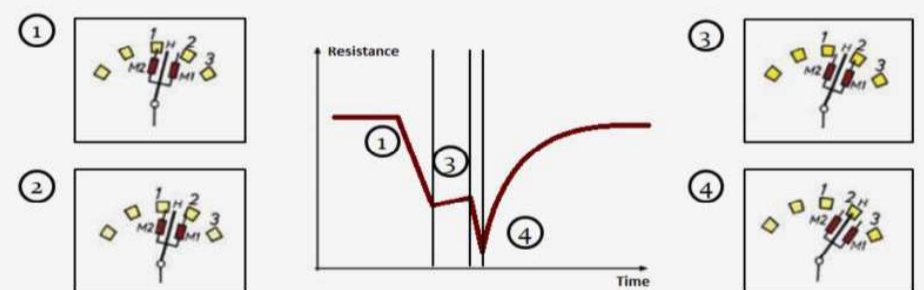
According to CIGRE A2.34, the dynamic resistance measurements or DRM (OFFLINE test) offers diagnostics for several diverter or selector switch malfunctions such as: contact problems, broken springs, broken transition resistors, poor contact pressure, inadequate transition time, momentary open circuit, and synchronism motion issues.



## Zensol's DRM principle

Tap windings are powered with a DC voltage source. The current fluctuations are recorded during the switching process. The schematic below shows the principle of the dynamic resistance measurement.

## Typical switching sequence



## Test set up

